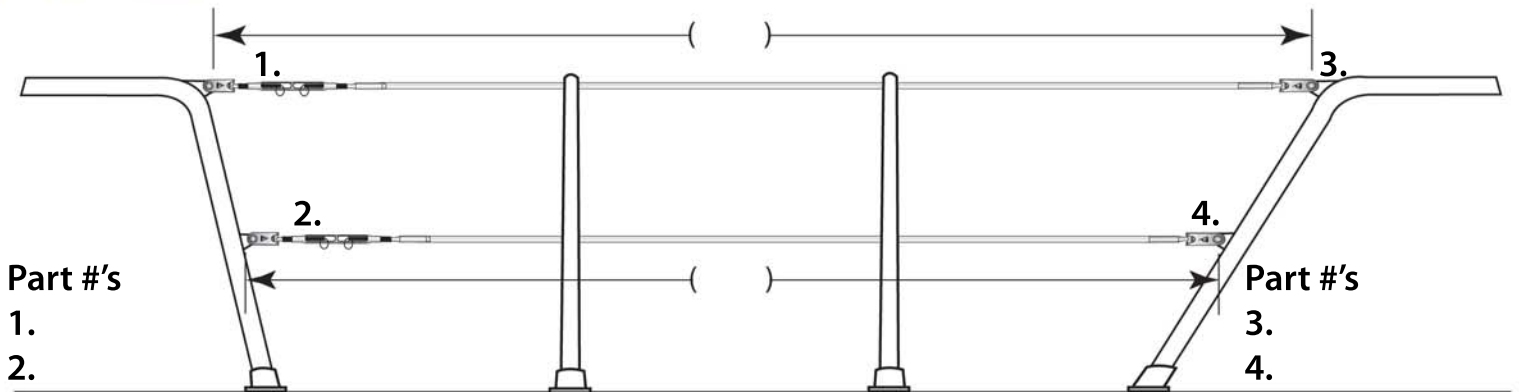


How to measure lifelines...

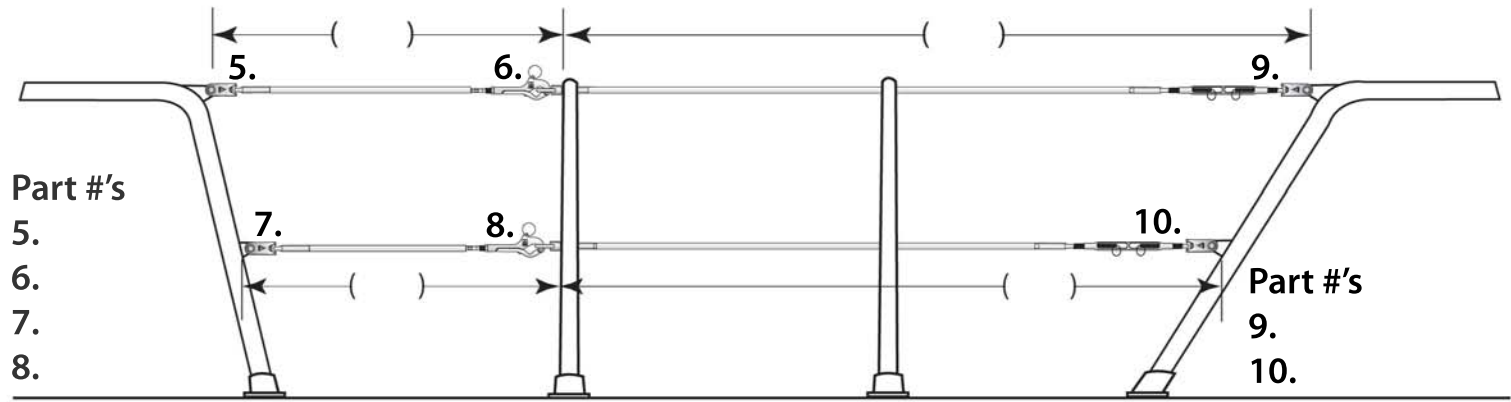
1. Select boat specific gate configurations.
2. Carefully measure and fill in blanks
3. Using APS catalog or website, fill-in part #'s
4. Call (800) 729-9767 to discuss project with our knowledgeable customer service staff



Part #'s
1.
2.

Part #'s
3.
4.

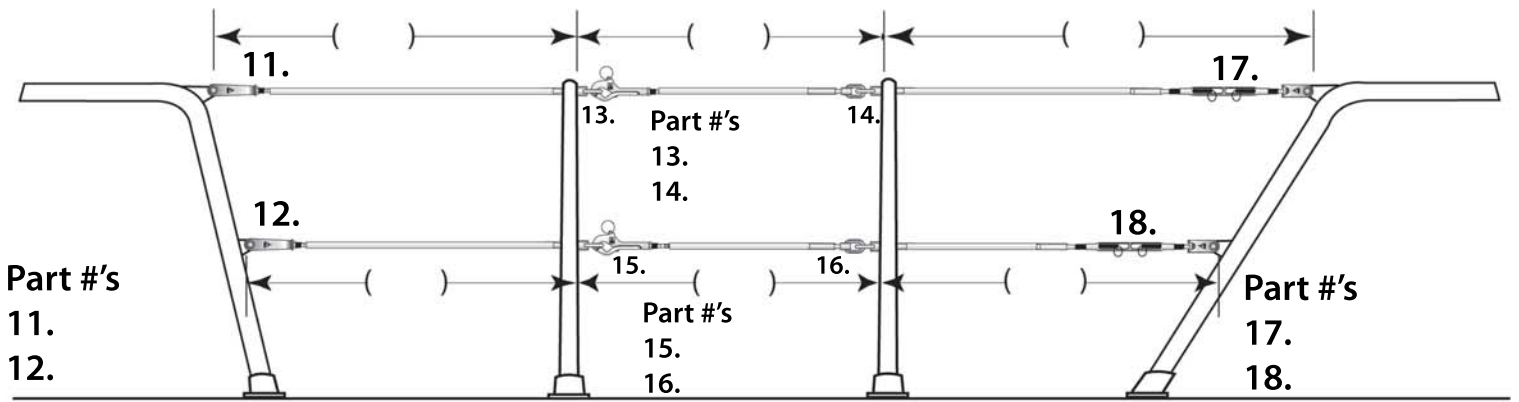
NO GATE



Part #'s
5.
6.
7.
8.

Part #'s
9.
10.

AFT GATE



Part #'s
11.
12.

Part #'s
13.
14.

Part #'s
15.
16.

Part #'s
17.
18.

MIDSHIP GATE